

M12 female 90° shielded with cable F&B Pro

TPE-S 5x0.34 shielded bu robot+drag ch. 30m

Plug Connectors for Food & Beverage

Further cable lengths on request.

Female 90°, shielded

M12 F&B Pro

5-pole

Stainless steel 1.4404 (V4A)

without cable sleeves

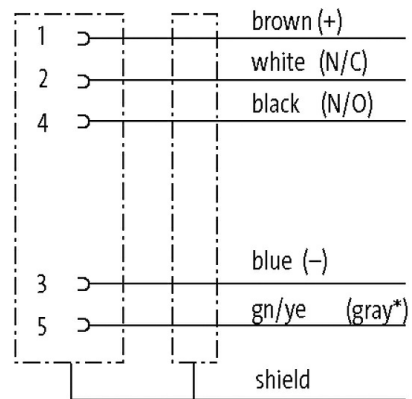
IP69K

Plastic housings with good resistance against chemicals and oils.

The resistance to aggressive media should be individually tested for your application. Further details on request.

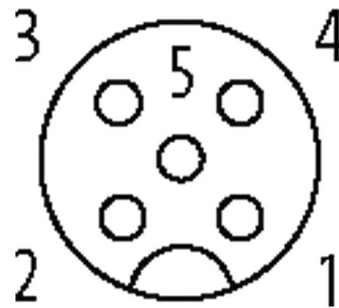
[Link to Product](#)

Illustration



(* for cable type 203, 603, 243, 643)

Female



Product may differ from Image

Approvals




* only for products with UL/CSA approved cable

Form

Form 13281

General data

| | |
|----------------------------|---------------------------------------|
| Standards | DIN EN 61076-2-101 (M12), FDA conform |
| Mounting method | inserted, tightened |
| Material (contact) | Copper alloy |
| Material (contact surface) | Au |
| Material (gasket) | EPDM |
| Material (contact carrier) | PP, ice blue |

| | |
|------------------------------------|--|
| Pollution Degree | 3 |
| Stripping length (jacket) | 20 mm |
| Temperature range | -40...+105 °C, depending on cable quality |
| Cables | |
| Cable number | 372 |
| No./diameter of wires | 5 × 0.34 mm ² |
| Wire isolation | PP (br, wh, bl, bk, gnye) |
| C-track properties | 4 Mio. |
| Jacket Color | pastel blue |
| Material (jacket) | TPE-S |
| Outer Ø | 5.9 mm ±5% |
| Bend radius (moving) | 10 × outer Ø |
| Temperature range (fixed) | -40...+105 °C |
| Temperature range (mobile) | -25...+105 °C |
| Cable identification | 372 |
| Approval (cable) | UL (AWM-Style 22126/11558), CE conform |
| Cable weight [g/m] | 51,70 |
| Material (wire) | Cu wire, bare |
| Resistor (core) | max. 58 Ω/km (20 °C) |
| Single wire Ø (core) | 0.1 mm |
| Construction (core) | 42 × 0.1 mm (multi-strand wire class 6) |
| Diameter (core) | 5 × 0.34 mm ² |
| AWG | similar to AWG 22 |
| Material (wire isolation) | PP |
| Material property (wire isolation) | CFC-, halogen-, cadmium-, silicone- and lead-free |
| Shore hardness (wire isolation) | 64 ±3 D |
| Wire-Ø incl. isolation | 1.27m ±5% |
| Color/numbering of wires | br, bk, bl, wh, gnye longitudinally striped |
| Stranding combination | 5 wires twisted around central filler |
| Shield | yes |
| | min. 85% |
| Material (jacket) | TPE-S (laser-markable) |
| Material property (jacket) | CFC-, halogen-, cadmium-, silicone- and lead-free, matt, low-adhesion, machine easy to process, abrasion-resistant, hydrolysis and microbial resistant |
| Shore hardness (jacket) | 47 ±5 D |
| Outer-Ø (jacket) | 5.9 mm ±5% |
| Color (jacket) | pastel blue |
| Nominal voltage | 300 V AC |
| Test voltage | 3000 V AC |
| Current load capacity | to DIN VDE 0298-4 |
| Temperature range (fixed) | -40...+105 °C |
| Temperature range (mobile) | -25...+105 °C |
| Bend radius (fixed) | 5 × outer Ø |
| Bend radius (moving) | 10 × outer Ø |
| No. of bending cycles (C-track) | max. 4 Mio. (25 °C) |
| Traversing distance (C-track) | max. 10 m |
| Travel speed (C-track) | max. 3 m/s |
| Acceleration (C-track) | max. 10 m/s ² |
| Torsion stress | ±180°/m |

| | |
|-----------------------|---------------------|
| No. of torsion cycles | max. 2 Mio. (25 °C) |
| Torsion speed | 35 cycles/min |

Technical Data

| | |
|---|--|
| Operating voltage | max. 60 V AC/DC |
| Operating voltage (only UL listed) | max. 30 V AC/DC |
| Rated surge voltage | 1.5 kV |
| Operating current per contact | max. 4 A |
| No. of poles | 5 |
| Material group | IEC 60664-1, category I |
| Coding | A-coded |
| LED display | no |
| Locking of ports | Screw thread (M12×1 mm) recommended torque 0.6 Nm, self-securing |
| Compression gland | M12 (SW14) |
| Protection | IP65, IP68, IP69K inserted and tightened (EN 60529) |
| Material | PP |
| Locking material | Stainless steel 1.4404 (V4A) |
| suitable for corrugated tube (internal Ø) | without |

Commercial data

| | |
|-----------------------|---------------|
| country of origin | DE |
| customs tariff number | 85444290 |
| EAN | 4048879814027 |
| eClass | 27279218 |
| Packaging unit | 1 |